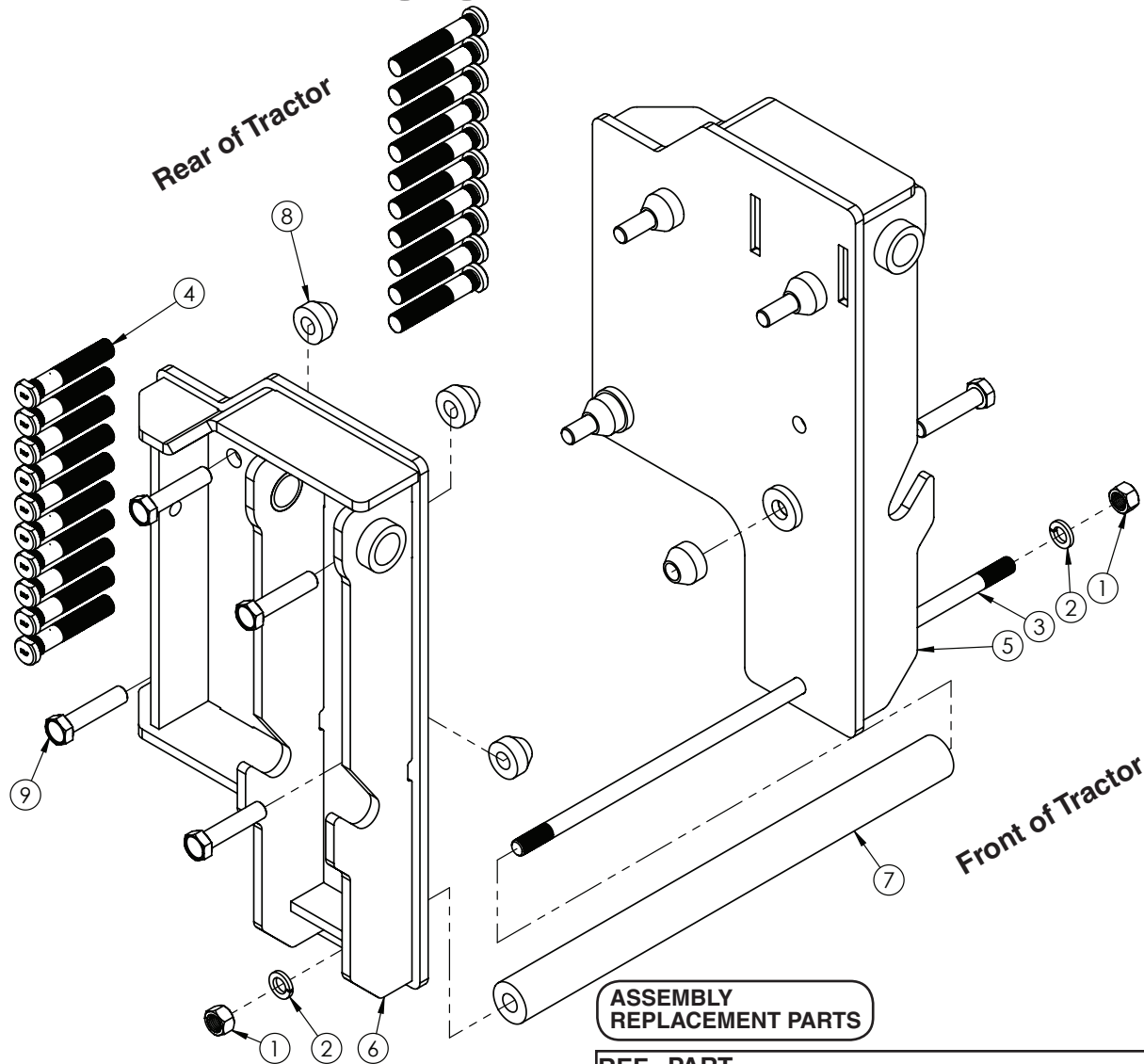


Demco SIDEQuest[®] 1200

01-14
AC20100,rev1

MASSEY FERGUSON
8650, 8660, 8670,
8680, 8690
CHALLENGER
MT645C/D, MT655C/D,
MT665C/D, MT675C/D,
MT685C/D



ASSEMBLY REPLACEMENT PARTS

| REF. PART NO. | NO. | QTY. | DESCRIPTION |
|---------------|----------|------|--------------------------------------|
| 1. | 00253 | 2 | Nut, 3/4" Hex |
| 2. | 00254 | 2 | Washer, 3/4" Lock |
| 3. | 14061 | 1 | Cross Shaft |
| 4. | 14601 | 20 | Wheel Stud, 22MM-1.50 x 120MM Gr10.9 |
| 5. | 14633-35 | 1 | Left Baseplate f/ Massey/Challenger |
| 6. | 14634-35 | 1 | Right Baseplate f/ Massey/Challenger |
| 7. | 14635-35 | 1 | Spacer, Tube |
| 8. | 14638-95 | 8 | Bushing, Tapered SQ |
| 9. | 14651 | 8 | Bolt, 20MM-2.50 x 90MM Gr10.9 |

Please order replacement parts by **PART NO.** and **DESCRIPTION.**

BOLT TORQUE SPECIFICATIONS

| STANDARD BOLTS: | | | METRIC BOLTS: | |
|-----------------|-------|-------------|---------------|-------------|
| Size | Grade | Torque | Size | Torque |
| 3/8" | 5 | 30 ft/lbs. | 20mm | 515 ft/lbs. |
| 1/2" | 5 | 75 ft/lbs. | 22mm | 702 ft/lbs. |
| 3/4" | 5 | 290 ft/lbs. | | |

**READ complete manual CAREFULLY
BEFORE attempting operation.**

DEMCO • 4010 320th Street • P.O. Box 189 • Boyden, IA 51234

PH: (712) 725-2311 • Toll Free: 1-800-543-3626 • FAX: (712) 725-2380 or 1-800-845-6420

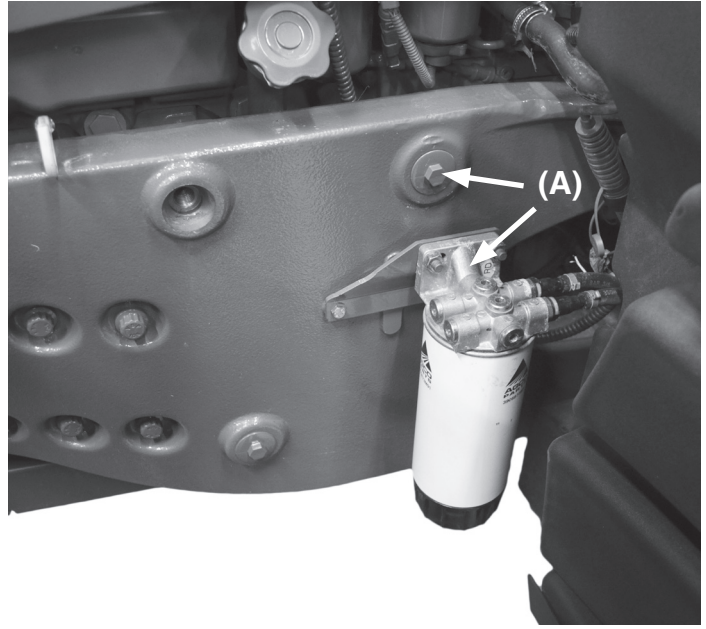
www.demco-products.com

Baseplate Install Instructions

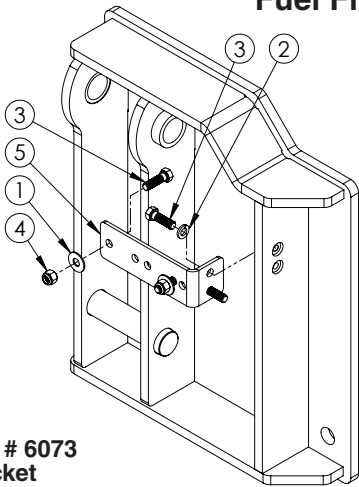
1. Remove fenders, fuel filter brackets, and (8) plastic inserts. **(A)**
2. Remove existing wheel studs and replace with 120mm long wheel studs.

When tightening wheel nuts, follow tractor manufacturing instructions.

3. Install baseplate with hardware. Use Tapered Bushings in between baseplate and tractor frame. **Shown on front cover.**
4. Install optional fuel filter bracket with hardware.
5. Tighten bolts attaching baseplate to tractor frame.



Fuel Filter Bracket Install Instructions

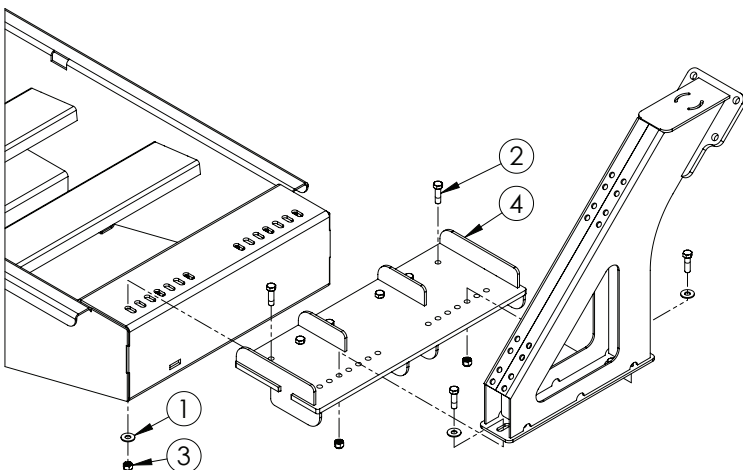


| REF. NO. | PART NO. | QTY. | DESCRIPTION |
|----------|----------|------|-----------------------------|
| 1. | 00059 | 2 | Washer, 3/8" |
| 2. | 00060 | 2 | Washer, 3/8" Lock |
| 3. | 00523 | 4 | Bolt, 3/8" NC x 1.25 Gr5 |
| 4. | 02592 | 2 | Nut, 3/8" Nylon Insert Lock |
| 5. | 14637-35 | 1 | Bracket, Fuel Filter |

OPTIONAL KIT # 6073
Fuel Filter Bracket

Extention Bracket Install Instructions

1. Attach Extention Bracket to saddle with hardware. Tighten hardware but still allow Spacer Bracket to slide for alignment during tank installation.
2. Use existing hardware to attach Tank Receiver Assembly to Extention Bracket. **(Step 9 in AC20074)**
3. Tighten Extention Bracket bolts. **(Step 11 in AC20074)**



| REF. NO. | PART NO. | QTY. | DESCRIPTION |
|----------|----------|------|-----------------------------|
| 1. | 00085 | 20 | Washer, 1/2" |
| 2. | 00482 | 20 | Bolt, 1/2" NC x 1.75 Gr5 |
| 3. | 02178 | 20 | Nut, 1/2" Nylon Insert Lock |
| 4. | 14641-35 | 2 | Extention Bracket, 1200 SQ |