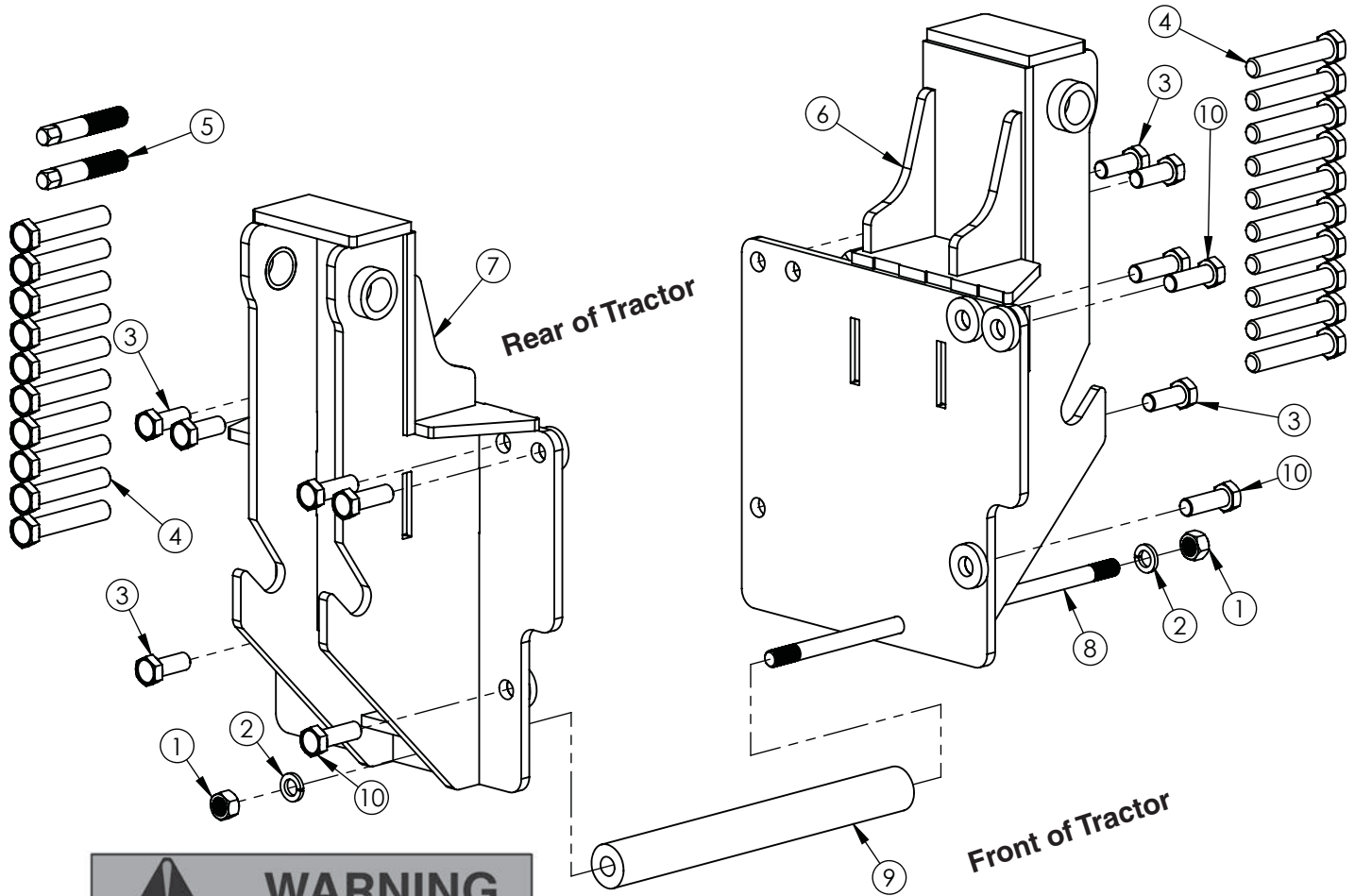


Demco SIDE Quest[®] 1200

03-12
AC20089, rev2

JOHN DEERE
7200R, 7215R, 7230R,
7260R, 7280R



WARNING

To prevent serious injury or death
On John Deere tractors check hub thickness.
If thickness is greater than 2.31" standard
bolts will fail.
13586 Hex Bolt 22MM-2.50 x 140 MM GR. 10.9
must be used.

REV 0 AC21005

**ASSEMBLY
REPLACEMENT PARTS**

REF. PART NO.	NO.	QTY.	DESCRIPTION
1.	00253	2	Nut, 3/4" Hex
2.	00254	2	Washer, 3/4" Lock
3.	03840	6	Bolt, 20MM-2.50 x 50MM Gr10.9
4.	13222	20	Bolt, 22MM-2.50 x 120MM Gr10.9
-	13586	20	Bolt, 22MM-2.50 x 140MM Gr10.9
5.	13919-95	2	Starter Stud
6.	14104-35	1	Left Baseplate f/ JD 7000R Series
7.	14105-35	1	Right Baseplate f/ JD 7000R Series
8.	14106-95	1	Cross Shaft
9.	14107-95	1	Underbelly Tube
10.	14416	6	Bolt, 20MM-2.50 x 60MM Gr10.9

Please order replacement parts by **PART NO.** and **DESCRIPTION.**

BOLT TORQUE SPECIFICATIONS

STANDARD BOLTS:			METRIC BOLTS:	
Size	Grade	Torque	Size	Torque
3/4"	5	290 ft/lbs.	20mm	515 ft/lbs.
			22mm	702 ft/lbs.

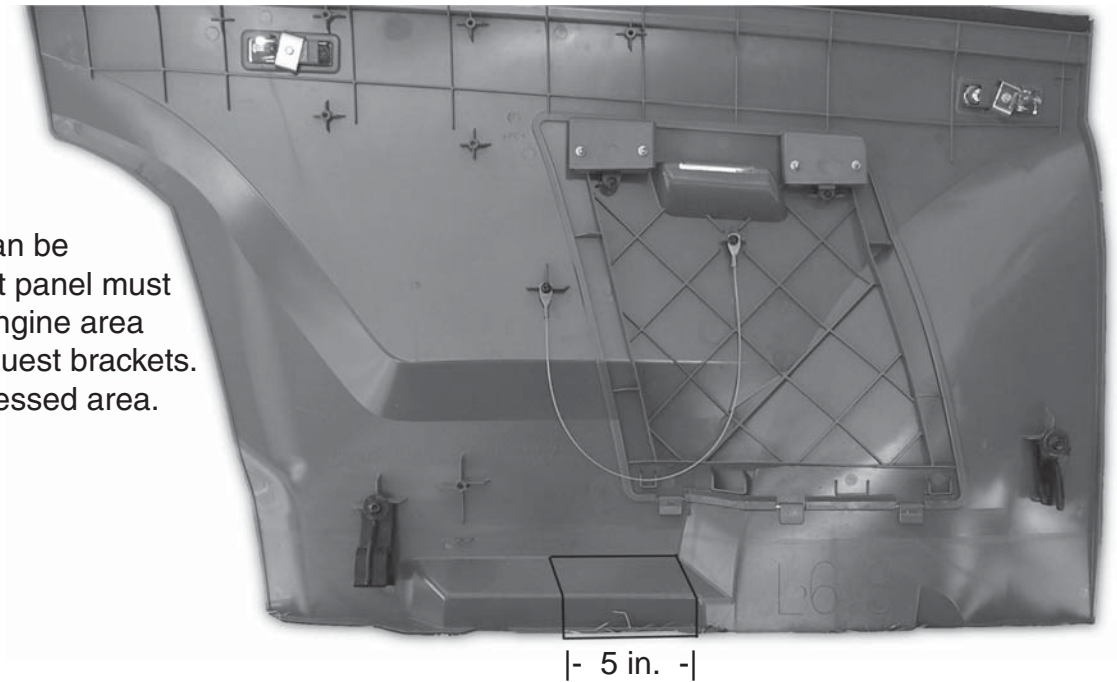
**READ complete manual CAREFULLY
BEFORE attempting operation.**

BRACKET AND PANEL FIT UP OPTIONS

The SideQuest brackets will fit with the engine compartment panels in place but the panels can not be removed while the brackets attached with out modification. We recommend either remove the panels before attaching the brackets to the tractor or trim the panels as in the examples below.

Left Side

The door in the panel can be removed to check oil but panel must be trimmed to access engine area without removing SideQuest brackets. Trim 5 inches of the recessed area.



Right Side

The panel must be trimmed to access engine area without removing SideQuest brackets. Trim the recessed area outlined up to the first bracket mount.