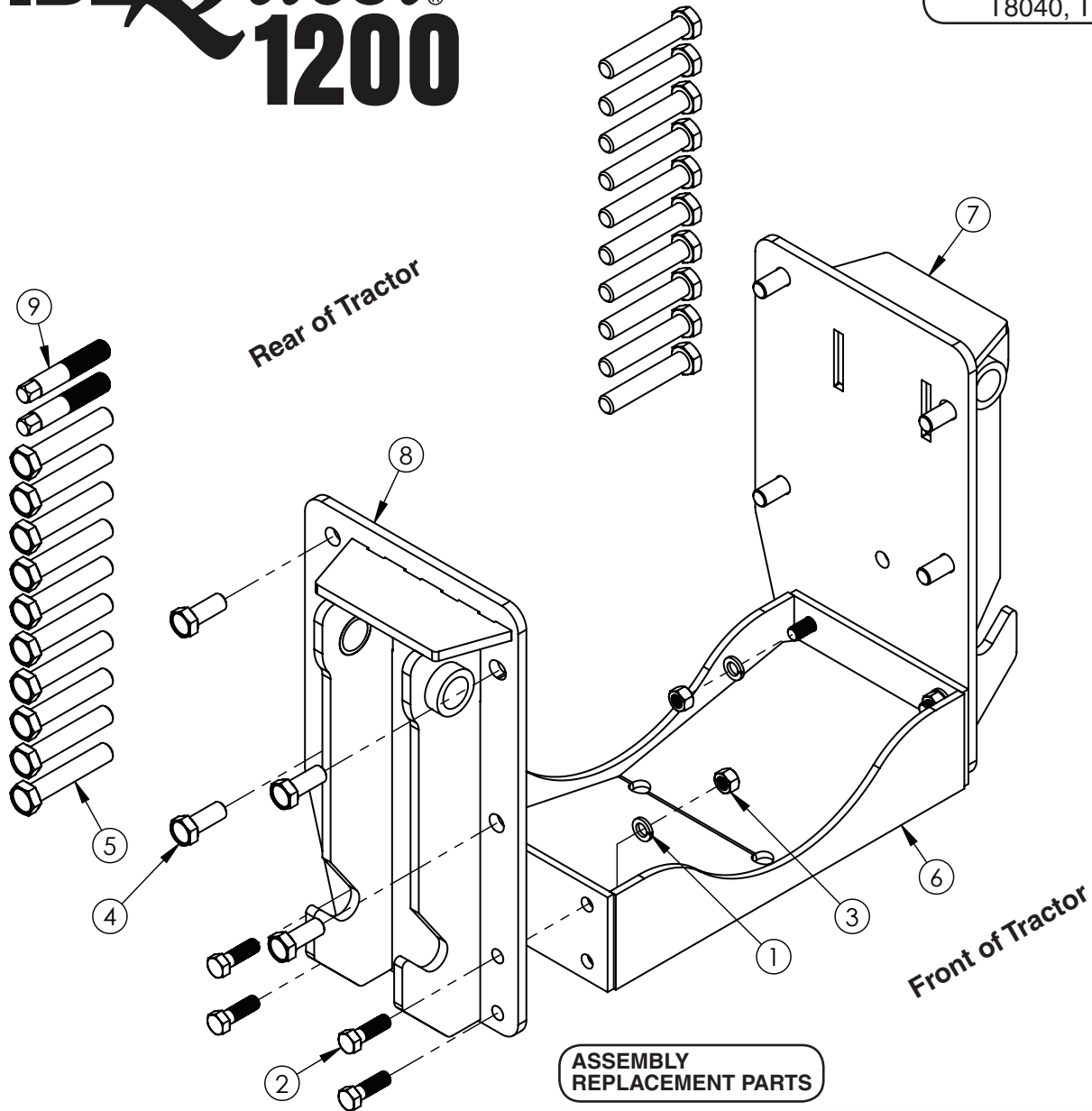


Demco SIDEQuest[®] 1200

12-11
AC20088, rev1

NEW HOLLAND
TG210, TG215, TG230,
TG245, TG255, TG275,
TG285, TG305
T8010, T8020, T8030,
T8040, T8050



ASSEMBLY REPLACEMENT PARTS

REF. PART NO.	NO.	QTY.	DESCRIPTION
1.	00248	8	Washer, 5/8" Lock
2.	00290	8	Bolt, 5/8" x 2.00" Gr5 Hex Head
3.	00291	8	Nut, 5/8" Hex
4.	03840	8	Bolt, 20MM-2.50 x 50MM Gr10.9
5.	13222	20	Bolt, 22MM-2.50 x 120MM Gr10.9
6.	13839-35	1	Spacer Assembly
7.	13840-35	1	Left Baseplate f/ NH TG/T8000 Series
8.	13841-35	1	Right Baseplate f/ NH TG/T8000 Series
9.	13919-95	2	Starter Stud

Please order replacement parts by **PART NO.** and **DESCRIPTION.**

BOLT TORQUE SPECIFICATIONS

STANDARD BOLTS:			METRIC BOLTS:	
Size	Grade	Torque	Size	Torque
5/8"	5	150 ft/lbs.	20mm	515 ft/lbs.
			22mm	702 ft/lbs.

**READ complete manual CAREFULLY
BEFORE attempting operation.**

DEMCO • 4010 320th Street • P.O. Box 189 • Boyden, IA 51234

PH: (712) 725-2311 • Toll Free: 1-800-543-3626 • FAX: (712) 725-2380 or 1-800-845-6420

www.demco-products.com