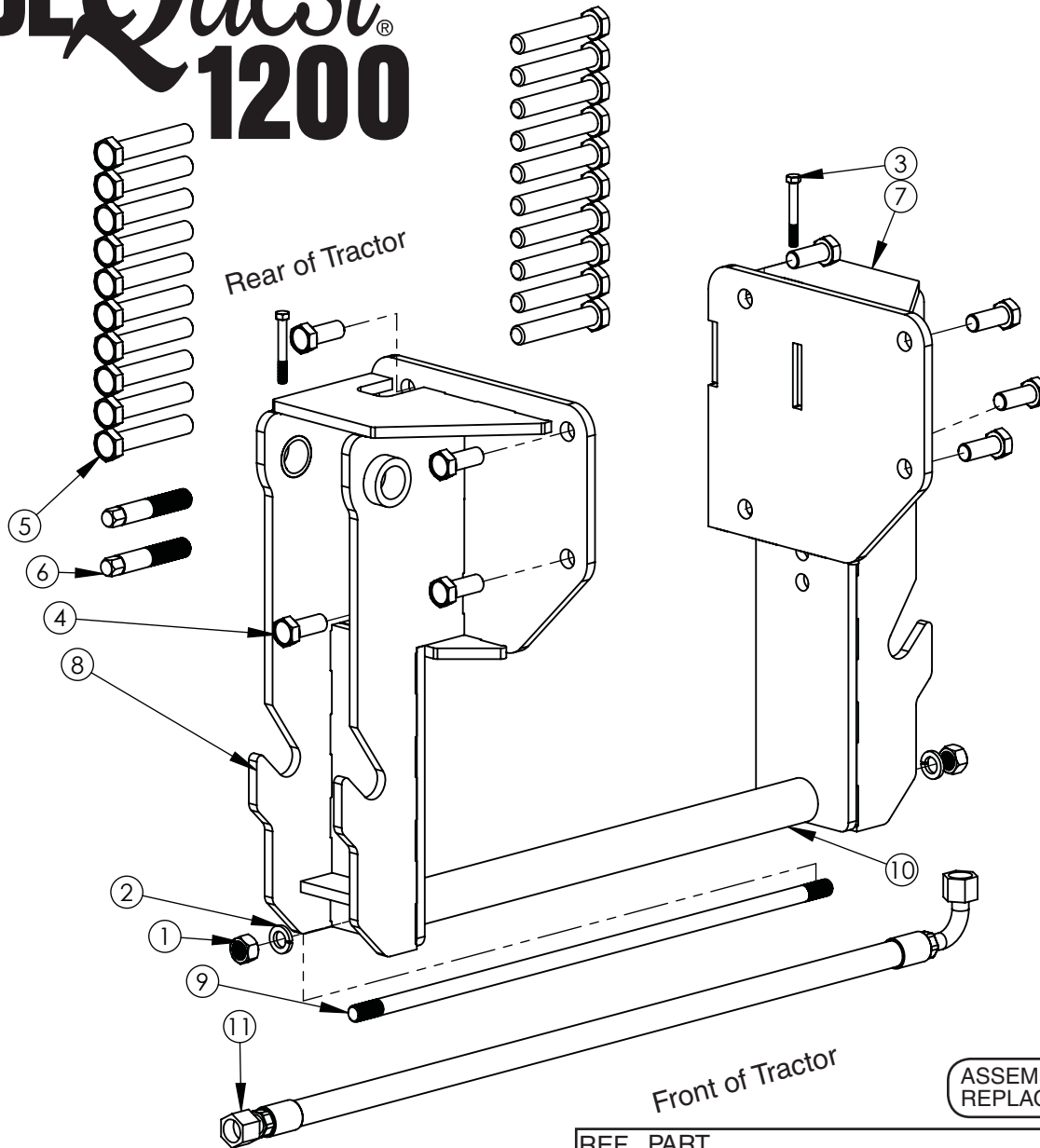


# Demco SIDEQuest<sup>®</sup> 1200

12-11  
AC20079,rev1

CASE IH  
MAGNUM TIER 4



ASSEMBLY  
REPLACEMENT PARTS

REF. NO.	PART NO.	QTY.	DESCRIPTION
1.	00253	2	3/4" NC Hex Nut
2.	00254	2	3/4" Lockwasher
3.	02207	2	Bolt, .375 NC
4.	03840	8	Bolt, 20MM-2.50 x 50MM Gr10.9
5.	13222	20	Bolt, 22MM-2.50 x 120MM Gr10.9
6.	13919-95	2	Starter Stud
7.	14057-35	1	Left Baseplate MAG T4 1200
8.	14058-35	1	Right Baseplate MAG T4 1200
9.	14061-35	1	Cross Shaft
10.	14062-35	1	Underbelly Tube
11.	14063	1	Hydraulic Hose (Optional. See Page 2)

Please order replacement parts by PART NO. and DESCRIPTION.

### BOLT TORQUE SPECIFICATIONS

STANDARD BOLTS:			METRIC BOLTS:	
Size	Grade	Torque	Size	Torque
3/4"	5	290 ft/lbs.	20mm	515 ft/lbs.
			22mm	702 ft/lbs.

**READ complete manual CAREFULLY  
BEFORE attempting operation.**

DEMCO • 4010 320th Street • P.O. Box 189 • Boyden, IA 51234

PH: (712) 725-2311 • Toll Free: 1-800-543-3626 • FAX: (712) 725-2380 or 1-800-845-6420

www.demco-products.com

**Hose only for 340 Magnum with suspension**

